

CONTENTS

- ELECTRIC HOSPITAL BED - 4 MOTOR
 - 4 TBNP-E4B / TBNP-E3B(3 MOTOR)
 - 5 TB-2004R / TB-2004(4 MOTOR)
- ELECTRIC HOSPITAL BED - 3 MOTOR
 - 6 TB-2003RL7 / TB-2003RL7+
 - 7 TB-2003NL7 / TB-2003NL7+
 - 8 TB-2003RL
- HOSPITAL BED - 3 MOTOR
 - 9 TB-2003NL
- ELECTRIC HOSPITAL BED - 3 MOTOR
 - 10 TB-3003BL
- LOW HEIGHT ELECTRIC HOSPITAL BED - 3 MOTOR
 - 11 TBL-2003N7
 - 12 TBL-E3X
- ELECTRIC HOSPITAL BED - 3 MOTOR
 - 13 TBNP-E3L / TBNW-E3L
 - 14 TN-E3L
 - 15 TB-2003S
 - 16 TB-2003SA
 - 17 TB-2003RLSA
 - 18 TB-2003NLSA
 - 19 TB-2003
 - 20 TB-673DL
- ELECTRIC HOSPITAL BED - 2 MOTOR
 - 21 TB-2002R / TB-2001R(2 CRANK)
 - 22 TN-E2
 - 23 TB-2002
 - 24 TBNW-E2
- ELECTRIC HOSPITAL BED - 1 MOTOR & 1 CRANK
 - 25 TB-2001E
- ELECTRIC HOSPITAL BED - 2 MOTOR
 - 26 TB-302 / TB-301(1 MOTOR)
- 구동기구
 - 27 TBM-4
- HOSPITAL BED - 2 CRANK
 - 28 TBNW-G2 / TBNW-E1G1(1 MOTOR + 1 CRANK)
 - 29 TB-2001
- TB-500 SERIES - 2 CRANK
 - 30 TB-512DBU
 - 31 TB-512BR
 - 32 TB-512B / TB-512
- TB-500 SERIES - 1 CRANK
 - 33 TB-511B / TB-511
- TB-300 SERIES - 2 CRANK
 - 34 TB-302B / TB-302S
- TB-200 SERIES - 1 CRANK
 - 35 TB-202B / TB-202S
- PEDIATRICS BED - 2 CRANK
 - 36 TB-302SA / TB-346
- HOSPITAL BED SERIES
 - 37 TB-101 / TB-101S / TB-101SA
- HOSPITAL BED & TRACTION
 - 38 TO-110 / TF-390S / TF-392
- HOSPITAL BED SERIES
 - 39 TB-302SI / TB-302SIB / TER-317
- MOTION BED - 2 MOTOR
 - 40 TB-ELP
- EMERGENCY BED
 - 41 TER-613
 - 42 TER-315, TER-316
- EMERGENCY & RECOVERY ROOM BED
 - 43 TW-406
- MOTORIZED EXAMINING BED - 2 MOTOR
 - 44 TE-3000 / TE-2000(1 MOTOR)
- STRETCHER CART
 - 45 TW-SC5
- PATIENT STRETCHER
 - 46 TW-305 / TW-306 / TW-305S
- BED SIDE CABINET
 - 47 TS-150, 150F / TS-500, 500F / TS-135, TS-130
- ATTENDANT BED
 - 48 TB-401 / TB-404 / TB-401E / TB-405
- EXAMINING TABLE
 - 49 TE-110 / TE-112 / TE-111
- WARD EQUIPMENT
 - 50 TU-623, 624, 625
- NURSING APPLIANCES
 - 51 TD-DC2S / TD-DC3S / TD-DC2SH / TD-DC3SH
 - 52 TD-TC2S2 / TD-TC3S2 / TD-TC2S2H / TD-TC3S2H
 - 53 TD-TC2S1 / TD-TC2S / TD-UC2S / TD-UC3S
 - 54 TD-UC2S-2D / TD-UC3S-1D
- OPERATING ROOM APPLIANCES
 - 55 TD-ITR / TD-ITV / TD-ITI
 - 56 TD-OIT1 / TD-OIT2 / TD-FD1
 - 57 TK-47S / TG-250 / TY-MSF / TY-AMS / TY-MSH
- WARD EQUIPMENT
 - 58 TO-460 / TH-53, 52, 51, 50, 46, 45 / TB-106S / TB-105S
- LINEN HAMPER CART
 - 59 TL-LHCF / TL-LHCR / TL-LHCF-C / TL-LHCD
- WARD EQUIPMENT
 - 60 TP-300, 300S / TW-801
- WALKING AIDS
 - 60 TW-511 / TW-711
- WHEEL CHAIRS
 - 61 TW-1001 / TW-1002 / TW-1003 / TW-501A / TW-701A
- NURSING APPLIANCES
 - 62 HOSPITAL CART
 - 63 HOSPITAL CART
- OPERATING ROOM APPLIANCES
 - 64 TD-WMIC
- OPERATING ROOM APPLIANCES
 - 66 TD-IC1 / TD-IC2
 - 67 TD-IC3 / TD-IC4 / TD-IC5 / TD-IC6
- CONSULTATION ROOM APPLIANCES
 - 68 TD-ECS1
 - 69 TD-ECS4
- OPERATING ROOM APPLIANCES
 - 70 TD-SCR3 / TD-SCR2
 - 71 TD-SK
- NURSING APPLIANCES
 - 72 TD-MC1 / TD-MC2 / TD-MC8501, 7501
 - 73 TD-MC5
 - 74 TD-EC1 / TD-EC2 / TD-ET8501, 7501
 - 75 TD-EC5
- ACCESSORIES
 - 76 TM-120
 - 77 엔프레진 시트
 - 78 OVER BED TABLE / FOLDABLE SIDE RAIL
SIDE RAIL / ONE TOUCH SIDE RAIL
 - HEAD & FOOT BOARD
 - 79 PP BLOW BOARD / ABS BOARD / PE BLOW BOARD
 - 80 ABS BOARD / PP BOARD / BED TOP / BED TOP

*당사의 생산품목은 제품의 품질 향상을 위해 사양 및 색상이 다소 변경될 수 있습니다.
Specifications are subject to change without prior to notice for quality improvement

*제품 주문 시 침대 높이, 모터, 바퀴, 기타 사양을 별도 확인 하여 주시기 바랍니다.
Buyer should conform the spec. Such as Height, Electric System, Casters & Accessories before order

ELECTRIC HOSPITAL BED - 4MOTOR

TBNP-E4B



○ SPECIFICATION

- Overall : L2200mm × W1000mm × H530~830mm (W/O Mattress)
- Bed Frame : Strong Steel Plate and Pipe
- Bed Top : 4-Section Washable Plastic Injection Mold Plate
- 4 Side Rails with gas-spring
- Build in Control Unit on Side Rail & Nurse Control Panel
- Dining Table
- Very Safety Dual Y-Axis Structure
- Trendenburg & Reverse
- Finish : Electrostatic Powder Coating

○ FEATURE

- All Motorized Back & Knee Raise, Hi-Low Adjustment, Trendenburg and Reverse
- Easy detachable Blow Molded Head & Foot Board
- 4pcs of Roller bumper at the side edge of the bed
- Noise-Less and Good Durability Electric System

○ INCLUDING ACCESSORIES

- 5" Casters 4Pcs
- Mattress 1Pcs
- Dining Table 1Pcs
- I.V Pole 1Pcs

○ OPTIONAL ACCESSORIES

- Central Lock Caster System
- Nurse Control Panel



TBNP-E3B(3-MOTOR)



ELECTRIC HOSPITAL BED - 4 MOTOR

TB-2004R

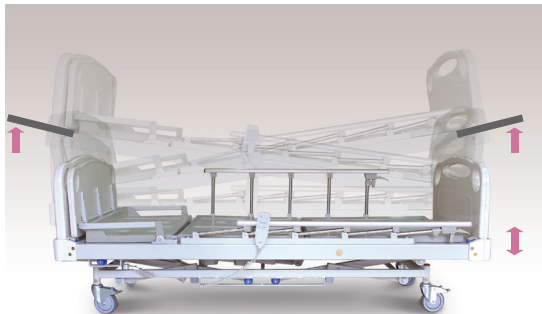


STANDARD FEATURES

- Foot-end motion control Panel
- Patient positioning package
- Detachable Head / Foot Board made of Anti Bacteria ABS resin.
- 4pcs of Roller bumper at the side edge of the bed
- Frame made with epoxy polyester powder coated & baked finish, resistant to chipping and scratching
- Safety Side Rails
- Bed top made of Anti Bacteria resin for Detachable and Washable

GENERAL DIMENSION

- Height range : Lo 420mm ~ Hi 790mm
- Litter Positioning : Head Section 0~80°, Knee Gatch 0~40°
- Trendlenburg & Reverse
- Overall : L2200mm X W960mm
- Maximum weight capacity : 250Kg



ELECTRONICS

- Dual Control System - Handset & APC
- D.C - Actuator system CE approved
- Power : 220V~230V

OPTIONAL ACCESSORIES

- Bed in Scale
- Central Lock Caster System

TB-2004(4-MOTOR)



ELECTRIC HOSPITAL BED - 3 MOTOR TB-2003RL7



○ SPECIFICATION

- Overall : L2200mm × W960mm × H370~700mm (W/O Mattress)
- Bed Frame : Strong Steel Pipe
- Bed Top : 4-Section Washable Plastic Injection Mold Plate
- Safely & Longer Side Rails(Length 1650mm, 7-Support Bar)
- ABS Dining Table
- Finish : Electrostatic Powder Coating

○ FEATURE

- Full Motorized Back & Knee Raise and Hi-Low Adjustment
- Stable L Axis Elevation
- Easy detachable ABS Molded Head & Foot Board
- 4pcs of Roller bumper at the side edge of the bed
- Safely & Longer Foldable Side Rails
- 5" Euro Style Total Lock Caster
- Noise-Less and Good Durability 3 Motor Electric System

○ INCLUDING ACCESSORIES

- 5" Casters 4Pcs
- Mattress 1Pcs
- Dining Table 1Pcs
- I.V Pole 1Pcs

○ OPTIONAL ACCESSORIES

- Foot Board imbedded S/W(Integrated Controller)



- 5" Central Lock Caster



!TB-2003RL7+



ELECTRIC HOSPITAL BED - 3 MOTOR TB-2003NL7



○ SPECIFICATION

- Overall : L2150mm × W930mm × H370~700mm (W/O Mattress)
- Bed Frame : Strong Steel Plate and Pipe
- Bed Top : 4-Section Washable Plastic Injection Mold Plate
- Safely & Longer Side Rails(Length 1650mm, 7-Support Bar)
- ABS Dining Table
- Finish : Electrostatic Powder Coating

○ FEATURE

- Full Motorized Back & Knee Raise and Hi-Low Adjustment
- Stable L Axis Elevation
- Easy detachable PP Molded Head & Foot Board
- Safety & Longer Foldable Slide Side Rails
- 5" Euro Style Total Lock Caster
- Noise-Less and Good Durability 3 Motor Electric System

○ INCLUDING ACCESSORIES

- 5" Casters 4Pcs
- Mattress 1Pcs
- Dining Table 1Pcs
- I.V Pole 1Pcs

○ OPTIONAL ACCESSORIES

- Foot Board imbedded S/W (CPR, Digital Head of bed angle indicator)



- 5" Central Lock Caster



TB-2003NL7+



ELECTRIC HOSPITAL BED - 3 MOTOR TB-2003RL



○ SPECIFICATION

- Overall : L2200mm × W960mm × H360~660mm (W/O Mattress)
- Bed Frame : Strong Steel Plate and Pipe
- Bed Top : 4-Section Washable Plastic Injection Mold Plate
- Safety Side Rails
- Dining Table
- Finish : Electrostatic Powder Coating

○ FEATURE

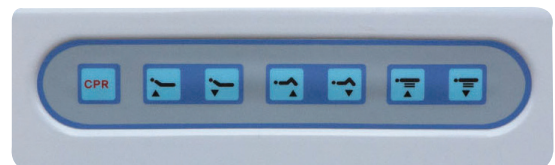
- Full motorized Back & Knee Raise and Hi-Low Adjustment
- Easy detachable ABS Molded Head & Foot Board
- 4pcs of Roller bumper at the side edge of the bed
- Safety & Strong Foldable Side rails
- Noise-Less and Good Durability Electric System
- Stable L Support Frame

○ INCLUDING ACCESSORIES

- 5" Casters 4Pcs
- Mattress 1Pcs
- Dining Table 1Pcs
- I.V Pole 1Pcs

○ OPTIONAL ACCESSORIES

- Nurse Control Panel



- 5" Central Lock Caster



HOSPITAL BED - 3 MOTOR TB-2003NL



○ SPECIFICATION

- Overall : L2170mm × W930mm × H370~670mm (W/O Mattress)
- Bed Frame : Strong Steel Plate and Pipe
- Bed Top : 4-Section Washable Plastic Injection Mold Plate
- Safety Side Rails
- Dining Table
- Finish : Electrostatic Powder Coating

○ FEATURE

- Full motorized Back & Knee Raise and Hi-Low Adjustment
- Easy detachable Blow Molded Head & Foot Board
- Safety & Strong Foldable Side rails with shockproof Patient Tech
- Noise-Less and Good Durability Electric System
- Stable L Support Frame

○ INCLUDING ACCESSORIES

- 5" Casters 4Pcs
- Mattress 1Pcs
- Dining Table 1Pcs
- I.V Pole 1Pcs

○ OPTIONAL ACCESSORIES

- Nurse Control Panel



- 5" Central Lock Caster



ELECTRIC HOSPITAL BED - 3-MOTOR TB-3003BL



○ SPECIFICATION

- Overall : L2180mm × W950mm × H420mm~740mm (W/O Mattress)
- Bed Frame : Strong Steel Plate and Pipe
- Bed Top : 4-Section Washable Plastic Injection Mold Plate
- Safety Side Slide Rails
- ABS Dining Table
- Finish : Electrostatic Powder Coating

○ FEATURE

- Full Motorized Back & Knee Raise and Hi- Low Adjustment
- Stable L Axis Elevation
- Easy Detachable PP Blow Molded Head & Foot Board
- Safety & Strong Foldable Side rails with shockproof Patient Tech
- Noise-Less and Good Durability 3 Motor electric System

○ INCLUDING ACCESSORIES

- 5" Casters 4Pcs
- Mattress 1Pcs
- Dining Table 1Pcs
- I.V Pole 1Pcs

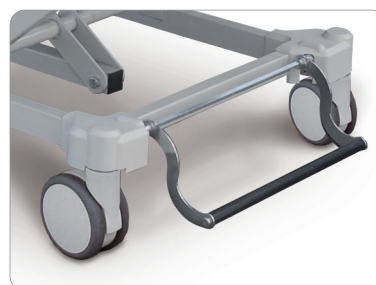
○ OPTIONAL ACCESSORIES

- Foot Board imbedded S/W



- Nurse Control Graphic UI
- Contact Free Heart Rate & Breathing Sensor
- Bed in Scale Weight Display

- 5" Central Lock Caster



LOW HEIGHT ELECTRIC HOSPITAL BED - 3 MOTOR TBL-2003N7



APPLICATION

- Geriatric Hospital, Convalescent Hospital
- Nursing Home Care, Home-Care

SPECIFICATION

- Overall : L2170mm x W930mm x H240~570mm (W/O Mattress)
- Bed Frame : Bended Steel Plate
- Detachable Blow Molded Head and Foot Board
- Bed Top : 4-Section Washable Plastic Injection Mold Plate
- Safety & Longer Slide Rails(Length 1650mm, 7-Support Bar)
- Dining Table
- Finish : Electrostatic Powder Coating

FEATURE

- Ultra Low Height Electric Hospital Bed(Fall Prevention)
- Full motorized Back & Knee Raise and Hi-Low Adjustment
- Easy detachable PP Molded Head & Foot Board
- Safety & Longer Foldable Side rails
- X-Axis Full Vertical Operation Without Sliding
- Noise-Less and Good Durability Electric System

OPTIONAL ACCESSORIES

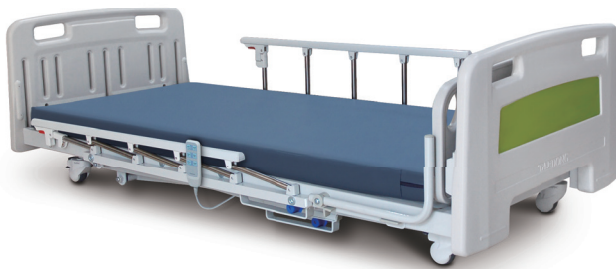
- Foot Board imbedded S/W
(CPR, Digital Head of bed angle indicator)



INCLUDING ACCESSORIES

- 3" Deluxe Housing Caster 4Pcs
- Mattress 1Pcs
- Dining Table 1Pcs
- I.V. Pole 1Pcs

LOW HEIGHT ELECTRIC HOSPITAL BED - 3 MOTOR TBL-E3X



TAEDONG PRIME

APPLICATION

- Geriatric Hospital, Convalescent Hospital
- Nursing Home Care, Home-Care

SPECIFICATION

- Overall : L2170mm x W930mm x H210~540mm (W/O Mattress)
- Bed Frame : Bended Steel Plate
- Detachable Blow Molded Head and Foot Board
- Bed Top : 4-Section Strong Steel Bar Mesh
- Safety Slide Rails
- Dining Table
- Finish : Electrostatic Powder Coating

FEATURE

- Ultra Low Height Electric Hospital Bed(Fall Prevention)
- Full motorized Back & Knee Raise and Hi-Low Adjustment
- Easy detachable PP Molded Head & Foot Board
- Safety & Longer Foldable Side rails
- X-Axis Full Vertical Operation Without Sliding
- Noise-Less and Good Durability Electric System

OPTIONAL ACCESSORIES

- Foot Board imbedded S/W
- (CPR, Digital Head of bed angle indicator)



INCLUDING ACCESSORIES

- 3" Deluxe Housing Caster 4Pcs
- Mattress 1Pcs
- Dining Table 1Pcs
- I.V. Pole 1Pcs

ELECTRIC HOSPITAL BED - 3 MOTOR TBNP-E3L



○ SPECIFICATION

- Overall : L2170mm × W960mm × H360~700mm (W/O Mattress)
- Bed Frame : Strong Steel Plate and Pipe
- Bed Top : 4-Section Washable Plastic Injection Mold Plate
- Side Rails : Foldable Side Rails
- Dining Table
- Finish : Electrostatic Powder Coating

○ FEATURE

- Full motorized Back & Knee Raise and Hi-Low Adjustment
- Easy detachable PP Molded Head & Foot Board
- 4pcs of Roller bumper at the side edge of the bed
- Safety & Strong Foldable Side rails
- Noise-Less and Good Durability Electric System
- Stable L Support Frame

○ INCLUDING ACCESSORIES

- 5" Casters 4Pcs
- Mattress 1Pcs
- Dining Table 1Pcs
- I.V Pole 1Pcs

○ OPTIONAL ACCESSORIES

- Nurse Control Panel
- 5" Central Lock Caster

TBNW-E3L



ELECTRIC HOSPITAL BED - 3 MOTOR TN-E3L



TAEDONG PRIME

○ SPECIFICATION

- Overall : L2170mm × W930mm × H360~660mm (W/O Mattress)
- Bed Frame : Strong Steel Pipe
- Detachable Blow Molded Head and Foot Board
- Bed Top : 4-Section Strong Steel Bar Mesh
- Safety Slide Rails
- Dining Table
- Finish : Electrostatic Powder Coating

○ FEATURE

- Full motorized Back & Knee Raise and Hi-Low Adjustment
- Stable L Support Frame
- Easy detachable PP Molded Head & Foot Board
- Safety & Strong Foldable Side rails
- 5" Euro Style Total Lock Caster
- Noise-Less and Good Durability Electric System

○ INCLUDING ACCESSORIES

- 5" Casters 4Pcs
- Mattress 1Pcs
- Dining Table 1Pcs
- I.V Pole 1Pcs

○ OPTIONAL ACCESSORIES

- Foot Board imbedded S/W (CPR, Digital Head of bed angle indicator)



► Color option

ELECTRIC HOSPITAL BED - 3 MOTOR TB-2003S



hospitalbed.co.kr

STANDARD FEATURES

- Foot-end motion control Panel
- Patient positioning package
- Detachable Head / Foot Board made of Anti Bacteria ABS resin.
- Corner Bumper made of ABS resin including two holes for IV pole and clinical thermometer
- Frame made with epoxy polyester powder coated & baked finish, resistant to chipping and scratching
- Bed Top : Washable Plastic Injection Mold Plate
- Simple and Beautiful Color Design (GD Mark)

GENERAL DIMENSION

- Height range : Lo 450mm ~ Hi 750mm
- Litter Positioning : Head Section 0~85°, Knee Gatch 0~40°
- Overall : L2180mm X W950mm
- D.C-Actuator system CE approved

FEATURE

- New Milky White Color
- Bed in Scale-Easy Zero Function by Push SW
- Dual Controller by Handset and APC
- Safety Side Rails
- Convenient United Dining Table
- Power : 220V ~ 230V. 50-60Hz

BED IN SCALE

- 4 Section Load Cell Patent Tech.
- Accuracy : +/- 200g



► Nurse Control Panel

ELECTRIC HOSPITAL BED - 3 MOTOR

TB-2003SA



○ SPECIFICATION

- Overall : L2180mm × W990mm
- Height range : Lo 530mm~Hi 830mm
- Litter Positioning : Head Section 0~80° Knee Gatch 0~40°
- Caster : 5" EURO Style
- Stainless Side Rail 4ea
- Finish : Electrostatic Powder Spray Coating

○ FEATURE

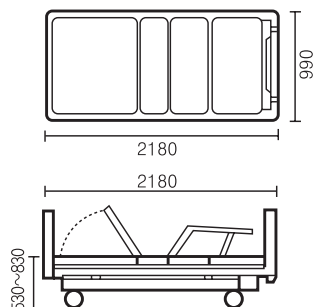
- Detachable ABS Head & Foot Board
- Stainless Side Rail 4ea
- ABS United Dining Table
- Bed Top : Washable Plastic Injection Mold Plate
- 5" Euro Style Total Lock Caster
- Buyer s Option : Housing Cover Caster or Central Locking System

○ STANDARD ACCESSORIES

- Side Rail : 4ea
- Mattress : 1ea
- Caster : 1set
- I. V. Pole : 1ea

○ OPTIONAL ACCESSORIES

- Central Lock Caster System



ELECTRIC HOSPITAL BED - 3 MOTOR TB-2003RLSA



○ SPECIFICATION

- Overall : L2190mm × W1000mm × H480-820mm (W/O Mattress)
- Bed Frame : Strong Steel Plate and Pipe
- Bed Top : 4-Section Washable Plastic Injection Mold Plate
- Stainless Side Rail 4ea
- Dining Table
- Finish : Electrostatic Powder Coating

○ FEATURE

- Full Motorized Back & Knee Raise and Hi- Low Adjustment
- Easy detachable ABS Molded Head & Foot Board
- 4pcs of Roller bumper at the side edge of the bed
- Noise-Less and Good Durability Electric System
- Stable L Support Frame

○ INCLUDING ACCESSORIES

- 5" Casters 4Pcs
- Mattress 1Pcs
- Dining Table 1Pcs
- I.V Pole 1Pcs

○ OPTIONAL ACCESSORIES

- Nurse Control Panel



- 5" Central Lock Caster



ELECTRIC HOSPITAL BED - 3 MOTOR TB-2003NLSA



TAEDONG PRIME

○ SPECIFICATION

- Overall : L2170mm × W1000mm × H480~820mm (W/O Mattress)
- Bed Frame : Strong Steel Plate and Pipe
- Bed Top : 4-Section Washable Plastic Injection Mold Plate
- Stainless Side Rail 4ea
- Dining Table
- Finish : Electrostatic Powder Coating

○ FEATURE

- Full motorized Back & Knee Raise and Hi-Low Adjustment
- Easy detachable Blow Molded Head & Foot Board
- Noise-Less and Good Durability Electric System
- Stable L Support Frame

○ INCLUDING ACCESSORIES

- 5" Casters 4Pcs
- Mattress 1Pcs
- Dining Table 1Pcs
- I.V Pole 1Pcs

○ OPTIONAL ACCESSORIES

- Nurse Control Panel



- 5" Central Lock Caster



ELECTRIC HOSPITAL BED - 3 MOTOR TB-2003

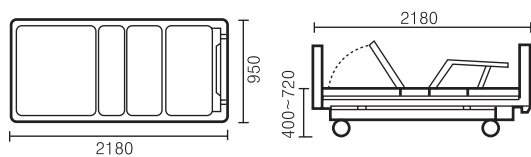


○ SPECIFICATION

- Overall : L2180 × W950mm
- Height range : Lo 400mm~Hi 720mm
- Litter Positioning : Head Section 0~80°
Knee Gatch 0~40°
- Caster : 5" EURO Style or deluxe housing
- For easy controlled safety Side Rails
- Finish : Electrostatic Powder Spray Coating

○ FEATURE

- Good Design Mark by Korea Government
- Easy Detachable Head & Foot made of ABS
- BED TOP : Plastic Injection Mold Plate



○ STANDARD ACCESSORIES

- Side Rail : 1set
- Mattress : 1ea
- Caster : 1set
- I. V. Pole : 1ea

○ OPTIONAL ACCESSORIES

- Nurse Control Panel
- Central Lock Caster System



ELECTRIC HOSPITAL BED - 3 MOTOR TB-673DL



TAEDONG PRIME

○ SPECIFICATION

- All motorized, head, knee and positions
- Detachable head and foot boards are made of polyester dressed polywood with steel reinforced plastic grips at both ends (Order Made production)
- Motor : AC 220V 50~60Hz DC 24V
- Caster : 5" Euro Style or deluxe housing
- Finish : Electrostatic Powder Spray Coating

○ STANDARD ACCESSORIES

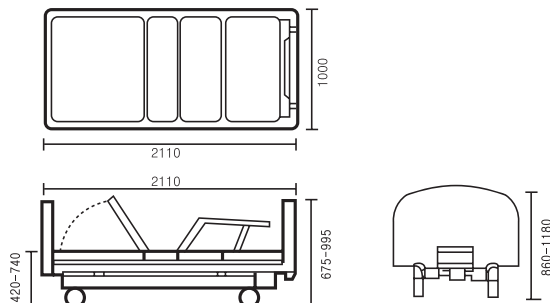
- Side Rail : 1set
- Mattress : 1ea
- Caster : 1set
- I. V. Pole : 1ea

○ OPTIONAL ACCESSORIES

- Nurse Control Panel
- Central Lock Caster System
- High Glossy Wood board



▶ High Glossy Wood Board (option)



ELECTRIC HOSPITAL BED - 2 MOTOR

TB-2002R



○ SPECIFICATION

- Overall : L2200mm × W960mm × H450mm (W/O Mattress)
- Bed Frame : Strong Steel Plate and Pipe
- Bed Top : 4-Section Washable Plastic Injection Mold Plate
- Safety Side Rails
- Dining Table
- Finish : Electrostatic Powder Coating

○ FEATURE

- Full motorized Back & Knee Raise Adjustment
- Easy detachable ABS Molded Head & Foot Board
- 4pcs of Roller bumper at the side edge of the bed
- Safety & Strong Foldable Side rails
- Noise-Less and Good Durability Electric System

○ INCLUDING ACCESSORIES

- 5" Casters 4Pcs
- Mattress 1Pcs
- Dining Table 1Pcs
- I.V Pole 1Pcs

TB-2001R(2-CRANK)



ELECTRIC HOSPITAL BED - 2 MOTOR

TN-E2



○ SPECIFICATION

- Overall : L2170mm × W930mm × H500mm (W/O Mattress)
- Bed Frame : Strong Steel Pipe
- Detachable Blow Molded Head and Foot Board
- Bed Top : 4-Section Strong Steel Bar Mesh
- Safety Slide Rails
- Dining Table
- Finish : Electrostatic Powder Coating

○ FEATURE

- Full motorized Back and Knee Raise Adjustment
- Easy Detachable PP Blow Molded Head & Foot Board
- Safety & Strong Foldable Slide Side Rails with Shockproof Patent
- 5" Euro Style Total Lock Caster
- Noise-Less and Good Durability 2 Motor electric System

○ INCLUDING ACCESSORIES

- 5" Total Lock Casters 4 Pcs
- Mattress 1 Pcs
- Dining Table 1Pcs
- I.V. Pole 1 Pcs



► Color option

ELECTRIC HOSPITAL BED - 2 MOTOR TB-2002



○ DIMENSION

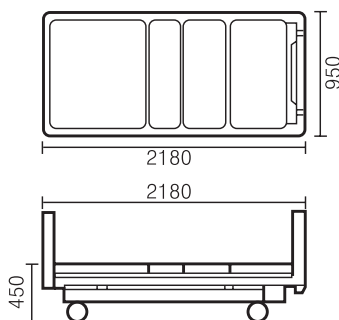
- Overall : L2180mm × 950mm
- Height : Standard 450mm(W/O) Buyer's Option 350~650mm
- Litter Position : Head Section 0~80° and Knee Section 0~40°

○ FEATURE

- Easy Detachable Head & Foot board made of ABS
- Strong ABS Bumper
- Foldable Side Rail
- ABS United Dining Table
- Bed Top : Washable Plastic Injection Mold Plate
- Logo Print by customer's requirement
- Buyer's Option : Housing Cover Caster

○ INCLUDING ACCESSORIES

- United ABS Dining Table
- Side Rails
- Mattress
- I. V. Pole



ELECTRIC HOSPITAL BED - 2 MOTOR TBNW-E2



TAEDONG PRIME

○ SPECIFICATION

- Overall : L2210mm × W960mm × H450mm (W/O Mattress)
- Bed Frame : Strong Steel Plate and Pipe
- Bed Top : Wire Mesh
- Safety Side Rails
- Dining Table
- Finish : Electrostatic Powder Coating

○ FEATURE

- Easy detachable PP Blow Molded Head & Foot Board
- 4pcs of Roller bumper at the side edge of the bed
- Safety & Strong Foldable Side rails
- Noise-Less and Good Durability Electric System

○ INCLUDING ACCESSORIES

- 5" Casters 4Pcs
- Mattress 1Pcs
- Dining Table 1Pcs
- I.V Pole 1Pcs



► Color option

ELECTRIC HOSPITAL BED - 1-MOTOR & 1-CRANK

TB-2001E



○ DIMENSION

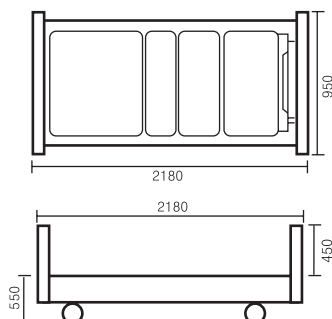
- Overall : L2180mm x 950mm
- Height : H550mm (W/O Mattress)

○ SPECIFICATIONS

- Bed Top : Washable Plastic Injection Mold Plate
- Head & Foot Panel : ABS Injection Mold
- Crank : ϕ 19mm Steel Bar
- Bumper : ABS Injection Mold
- Finish : Electrostatic Powder Spray Coating
(Use of the epoxy-Polyester resin)

○ INCLUDING ACCESSORIES

- Over Bed Table : 1ea
- Side Rails : 2ea
- Mattress : 1ea
- Caster : 4ea(5" Swivel Caster)
- I. V. Pole : 1ea



ELECTRIC HOSPITAL BED - 2 MOTOR

TB-302



TAEDONG PRIME

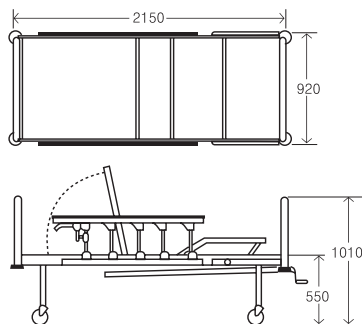
○ SPECIFICATION

- 2-motorized, head & knee positions
- Deluxe PE Blow Molded Head & Foot Board
- Motor : AC 220V 50~60Hz DC 24V
- Caster : 5" Swivel Caster
- Finish : Electrostatic Powder Spray Coating

○ STANDARD ACCESSORIES

- Side Rail : 1set
- Mattress : 1ea
- Caster : 1set
- I. V. Pole : 1ea

IBTB-301(1-MOTOR)



수동 침대를 간단하게 전동 침대로 변경 구동기구(TBM-4)



○ 구조변경을 위한 장치(Motor)



○ 장 점

- 고가의 전동침대 구입 예산 절감
- 식약처 신고필한 검증된 제품
- AS 및 내구성 보장

○ 변경절차

1. 수동침대 크랭크 길이 확인 (방문 및 전화가능)
2. 브라켓 제작, Liner Actuator 준비 및 Test
3. 병실 방문 교체작업

HOSPITAL BED - 2 CRANK TBNW-G2



○ SPECIFICATION

- Overall : L2210mm × W960mm × H450mm (W/O Mattress)
- Bed Frame : Strong Steel Plate and Pipe
- Bed Top : Wire Mesh
- Safety Side Rails
- Dining Table
- Finish : Electrostatic Powder Coating

○ FEATURE

- Easy detachable Blow Molded Head & Foot Board
- 4pcs of Roller bumper at the side edge of the bed
- Safety & Strong Foldable Side rails with shockproof Patient Tech
- Soft manual crank for Back & Knee adjustable

○ INCLUDING ACCESSORIES

- 5" Casters 4Pcs
- Mattress 1Pcs
- Dining Table 1Pcs
- I.V Pole 1Pcs

TBNW-E1G1(1-MOTOR +1-CRANK)



HOSPITAL BED - 2 CRANK TB-2001



○ DIMENSION

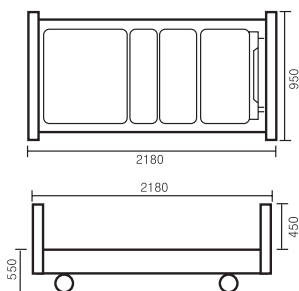
- Overall : L2180mm × 950mm
- Height : H450mm(W/O Mattress)

○ SPECIFICATIONS

- Bed Top : Washable Plastic Injection Mold Plate
- Head & Foot Panel : ABS Injection Mold
- Crack : ϕ 19mm Steel Bar
- Handle : Nylon resin 2ea-Slide Type
- Bumper : ABS Injection Mold
- Finish : Electrostatic Powder Spray Coating
(Use of the epoxy-Polyester resin)

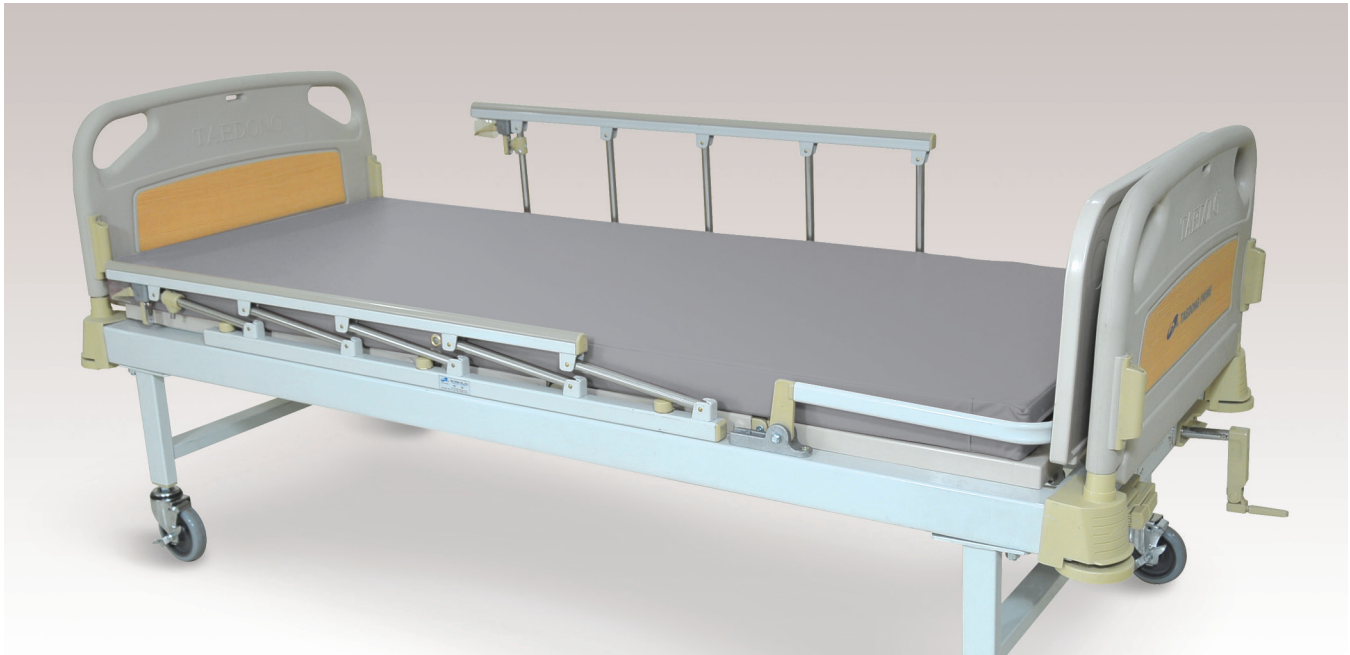
○ STANDARD ACCESSORIES

- Over Bed Table : 1ea
- Side Rails : 2ea
- Mattress : 1ea
- Caster : 4ea(5" Swivel Caster)
- I. V. Pole : 1ea



TB - 500 SERIES - 2 CRANK

TB-512DBU



○ DIMENSION

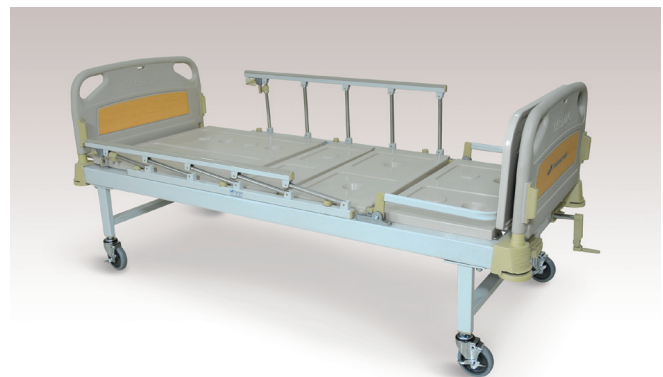
- Overall : L2170mm x 920mm
- Height : H550mm(Without Mattress)

○ FEATURE

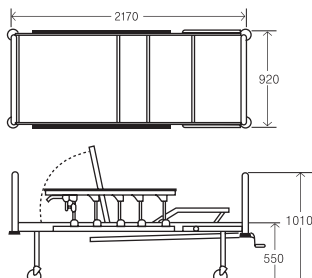
- Deluxe PE Blow Molded Head & Foot Board
- Dual Bumper System
- Safety Foldable Side Rail-Jointed on Bed Frame
- ABS United Dining Table
- Bed Top : Washable Plastic Injection Mold Plate
- Crank : $\phi 19$ mm Steel Bar
- Handle : Nylon resin 2ea
- Finish : Electrostatic Powder Spray Coating
(Use of the epoxy-Polyester resin)

○ INCLUDING ACCESSORIES

- United ABS Dining Table
- Side Rails
- Mattress
- I. V. pole



► Without Mattress



TB - 500 SERIES - 2 CRANK

TB-512BR



○ DIMENSION

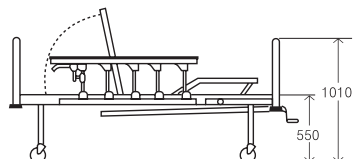
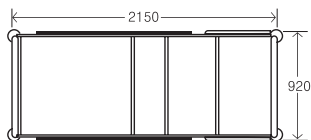
- Overall : L2150mm x 920mm
- Height : H550mm (Without Mattress)

○ FEATURE

- Deluxe PE Blow Molded Head & Foot Board
- Dual Bumper System
- Foldable Side Rail
- P.P. or Wooden United Dining Table
- Logo Print by customer's requirement
- Crank : ϕ 19mm Steel Bar
- Handle : Nylon resin 2eas
- Finish : Electrostatic Powder Spray Coating (Use of the epoxy-Polyester resin)

○ OPTIONAL ACCESSORIES

- PP Blow Molded Dining Table
- Wooden Dining Table



▶ Without Mattress

TB - 500 SERIES - 2 CRANK TB-512B



○ DIMENSION

- Overall : L2150mm x W920mm
- Height : H550mm (W/O Mattress)

○ INCLUDING ACCESSORIES

- Over Bed Table : 1ea
- Side Rails : 2ea
- Mattress : 1ea
- Casters : 4" 1set
- I. V. Pole : 1ea



▶ Without Mattress

TB-512



○ DIMENSION

- Overall : L2150mm x W920mm
- Height : H550mm (W/O Mattress)

○ INCLUDING ACCESSORIES

- Over Bed Table : 1ea
- Side Rails : 2ea
- Mattress : 1ea
- Casters : 4" 1set
- I. V. Pole : 1ea



▶ Without Mattress

TB - 500 SERIES - 1 CRANK TB-511B



○ DIMENSION

- Overall : L2150mm x W920mm
- Height : H550mm (W/O Mattress)

○ INCLUDING ACCESSORIES

- Over Bed Table : 1ea
- Side Rails : 2ea
- Mattress : 1ea
- Casters : 4" 1set
- I. V. Pole : 1ea



▶ Without Mattress

TB-511



○ DIMENSION

- Overall : L2150mm x W920mm
- Height : H550mm (W/O Mattress)

○ INCLUDING ACCESSORIES

- Over Bed Table : 1ea
- Side Rails : 2ea
- Mattress : 1ea
- Casters : 4" 1set
- I. V. Pole : 1ea



▶ Without Mattress

TB - 300 SERIES - 2 CRANK TB-302B



○ DIMENSION

- Overall : L2150mm x W920mm
- Height : H550mm (W/O Mattress)

○ INCLUDING ACCESSORIES

- Over Bed Table : 1ea
- Side Rails : 2ea
- Mattress : 1ea
- Casters : 4" 1set
- I. V. Pole : 1ea



▶ Without Mattress

TB-302S



○ DIMENSION

- Overall : L2150mm x W920mm
- Height : H550mm (W/O Mattress)

○ INCLUDING ACCESSORIES

- Over Bed Table : 1ea
- Side Rails : 2ea
- Mattress : 1ea
- Casters : 4" 1set
- I. V. Pole : 1ea



▶ Without Mattress

TB - 200 SERIES - 1 CRANK TB-202B



DIMENSION

- Overall : L2150mm x W920mm
- Height : H550mm (W/O Mattress)

INCLUDING ACCESSORIES

- Over Bed Table : 1ea
- Side Rails : 2ea
- Mattress : 1ea
- Casters : 4" 1set
- I. V. Pole : 1ea



▶ Without Mattress

TB-202S



DIMENSION

- Overall : L2150mm x W920mm
- Height : H550mm (W/O Mattress)

INCLUDING ACCESSORIES

- Over Bed Table : 1ea
- Side Rails : 2ea
- Mattress : 1ea
- Casters : 4" 1set
- I. V. Pole : 1ea



▶ Without Mattress

PEDIATRICS BED - 2 CRANK TB-302SA



○ DIMENSION

- Overall : L2150mm x W930mm
- Height : H550mm (W/O Mattress)

○ INCLUDING ACCESSORIES

- Over Bed Table : 1ea
- Side Rails : 2ea
- Mattress : 1ea
- Casters : 1set
- I. V. Pole : 1ea

TB-346



○ DIMENSION

- Overall : L2110mm x W920mm
- Height : H550mm (W/O Mattress)

○ INCLUDING ACCESSORIES

- Over Bed Table : 1ea
- Side Rails : 2ea
- Mattress : 1ea
- Casters : 1set
- I. V. Pole : 1ea

HOSPITAL BED SERIES

TB-101 (PSYCHIATRY BED)



○ DIMENSION

- Overall : L2100mm × W850mm
- Bed Height : H430mm (W/O Mattress)

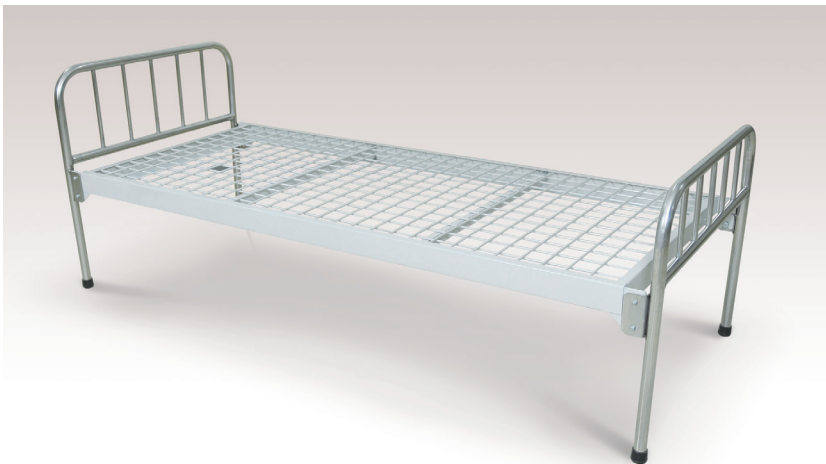
○ SPECIFICATION

- Bed Top Frame : Steel plate
- Bed Top : ø6mm Steel Bar, 40×40×3mm Angle
- Leg Frame : 30×30×1.4mm Steel Pipe
- Finish : Shot ball-Electrostatic Powder Spray Coating

○ STANDARD ACCESSORIES

- Mattress : 1ea

TB-101S (PSYCHIATRY BED)



○ DIMENSION

- Overall : L2100mm × W850mm
- Bed Height : H430mm (W/O Mattress)

○ SPECIFICATION

- Bed Top Frame : Steel plate
- Bed Top : ø6mm Steel Bar, 40×40×3mm Angle
- Leg Frame : ø32mm Stainless Steel Pipe
- Finish : Shot ball-Electrostatic Powder Spray Coating

○ STANDARD ACCESSORIES

- Mattress : 1ea

TB-101SA (PSYCHIATRY BED)



○ DIMENSION

- Overall : L2100mm × W850mm
- Bed Height : H430mm (W/O Mattress)
- Under Locker Overall : W840mm × L410mm × H300mm

○ SPECIFICATION

- Bed Top Frame : Steel plate
- Bed Top : ø6mm Steel Bar, 40×40×3mm Angle
- Leg Frame : ø32mm Stainless Steel Pipe
- Finish : Shot ball-Electrostatic Powder Spray Coating

○ STANDARD ACCESSORIES

- Mattress : 1ea

HOSPITAL BED & TRACTION

TO-110 (DOUBLE-DECKER BED)



○ DIMENSION

- Overall : L2100mm x W880mm
- Height : H300-1300mm (W/O Mattress)

○ OPTIONAL ACCESSORIES

- Mattress : 2ea

ITF-390S (TRACTION FRAME)



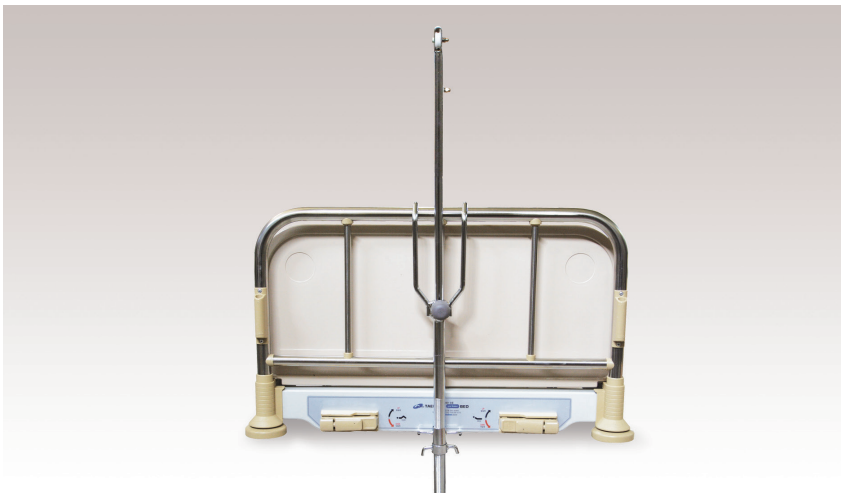
○ DIMENSION

- Width Cross Bar : ϕ 25mm Stainless Steel pipe
- Length bar : ϕ 32mm Stainless Steel pipe 2ea

○ STANDARD ACCESSORIES

- Roller Clamps : 4ea
- Trapeze Handle & Chain : 1set
- Weight Hanger : 1ea
- Clamps : 10ea

ITF-392 (TRACTION BAR)



HOSPITAL BED SERIES

TB-302SI (2 CRANKS)



DIMENSION

- Overall : L2150mm x W920mm
- Height : H550mm (W/O Mattress)

TB-302SIB (2 CRANKS)



ITER-317 (3 CRANKS)



DIMENSION

- Overall : L2150mm x W850mm
- Height : H530 ~ 800mm (W/O Mattress)

STANDARD ACCESSORIES

- I. V. Pole : 1ea
- Side Rails : 2ea
- Mattress : 1ea
- Casters : 1set

MOTION BED - 2 MOTOR TB-ELP



TAEDONG PRIME

○ SPECIFICATION

- Overall Dimensions :

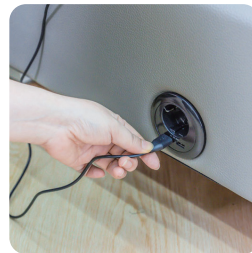
Single(S) - L2250mm x W1100mm x H470mm (With mattress)

[Mattress Thickness : L2000mm x W900mm x H150mm]

Super Single(SS) - L2250mm x W1220mm x H470mm (With mattress)

[Mattress Thickness : L2000mm x W1020mm x H150mm]

- Headboard Dimensions : W1200mm x H1000mm



EMERGENCY BED

TER-613 (OIL-HYDRAULIC & 1 GAS SPRING)



○ SPECIFICATION

- Overall : L2020mm × W820mm × H500~860mm (W/O Mattress)
- Bed Frame : Strong Steel Pipe & Plate
- Bed Top : Strong Steel Plate
- Side Rails : 4 Side Rails with 4-Support bar and Button S/W
- High & Low : Oil Hydraulic
- Back rest : Free Stop Gas Cylinder
- Finish : Electrostatic Powder Coating

○ INCLUDING ACCESSORIES

- 5" Casters 4Pcs
- Mattress 1Pcs
- Steel Mesh Basket 1pcs
- I.V Pole 1Pcs

○ OPTION

- Knee rest by Gas Spring
- Oxygen Tank Holder

○ FEATURE

- Oil-Hydraulic High & Low(Medical Purpose)
- 4 Stainless Side Rails with Button S/W
- Stable X-Axis Elebation
- Large 6" Central Lock Caster (Free, Directional, Total Lock)
- Free Stop Gas Spring for Backrest
- All round rubber Bumper



High & Low Elevation by Oil-Hydraulic

EMERGENCY BED

TER-315 (1 CRANK)



○ DIMENSION

- Overall : L1920mm x W750mm x H650mm
- Height : H650mm (W/O Mattress)

○ STANDARD ACCESSORIES

- I. V. Pole : 1ea
- Side Rails : 2ea
- Mattress : 1ea
- Casters : 1set

EMERGENCY BED

TER-316 (2 CRANK)



○ DIMENSION

- Overall : L1920mm x W750mm x H515~800mm
- Height : H530~800mm (W/O Mattress)

○ SPECIFICATION

- Bed Top Frame : 30mm Steel Pipe
- Bed Top : Steel plate
- Bumper : 50x6mm
Plain Steel-Polyethylene resins
- Finish : Electrostatic Powder Spray Coating
(Use of the epoxy-Polyester resin)

○ STANDARD ACCESSORIES

- I. V. Pole : 1ea
- Side Rails : 2ea
- Mattress : 1ea
- Casters : 1set



EMERGENCY & RECOVERY ROOM BED

TW-406 (OIL - HYDRAULIC & 1 GAS SPRING)



○ DIMENSION

- Overall : L1955mm x 700mm
- Elevation : Low450mm~High 895mm
- Large 6" Central Lock System

○ SPECIFICATION

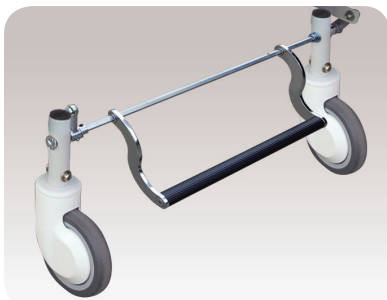
- Bed Top : Aluminium
- Leg Frame : Carbon Steel
- Finish : Electric Powder Spray Coating
- Side Rail : Safety Slide Side System

○ FEATURE

- High~Low by Oil Hydraulic
- Back Rest by Gas Spring
- Easy Foot Pedal System
- Deluxe Central Locking System

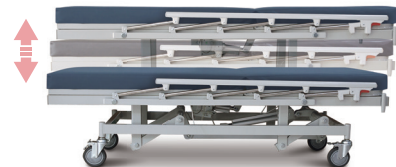
○ OPTIONAL

- One foot Pedal



▶ Option

MOTORIZED EXAMINING BED - 2 MOTOR TE-3000



○ SPECIFICATION

- Overall : L1800mm x W730mm x H510mm~850mm
- Bed Frame : Steel Pipe
- Side Rails : L1170mm x H360mm(Steel Pipe and Stainless Pipe)
- 12mm Polywood with Sponge & Vinyl Leather Cover 80mm
- Motor : AC220V (50~60Hz) DC24V
- Caster : 5" Euro Style Total Lock
- Finish : Electrostatic Powder Spray Coating

○ FEATURE

- Height & Backrest Adjustable by Hand remote Control
- Noise-Less and good Durability electric 2 Actuator System
- Easy Operation by Remote Handset
- Stable L Axis Support Bottom Frame
- 2EA IV Pole mounts

○ OPTIONAL ACCESSORIES

- 5" Central Lock Caster



TE-2000 - 1 MOTOR



STRETCHER CART

TW-SC5 (NON-MAGNETIC, MRI실용)



○ DIMENSION

- Overall : L2000mm × D720mm
- Height : H500mm~820mm (W/O Mattress)



▶ Handle / Ringel stand



▶ Paddle



▶ Stencaste



PATIENT STRETCHER TW-305



○ DIMENSION

- Overall : L1900mm x W650mm
- Height : H700mm (W/O Mattress)

○ STANDARD ACCESSORIES

- I. V. Pole : 1ea
- Mattress : 1ea
- Side Rails : 2ea
- Casters : 1set

TW-306 (FOLDABLE)



○ DIMENSION

- L1800mm x W600mm x H700mm
- L1100mm x W600mm x H700mm



TW-305S (STAINLESS STEEL)



○ DIMENSION

- L1900mm x W700mm x H700mm

BED SIDE CABINET

TS-150, 150F

(WARDROBE WITH BEDSIDE CABINET)



DIMENSION

- Overall : W450xD420xH1800mm

DIMENSION

- Overall : W500xD530xH1900mm

TS-500, 500F

(WARDROBE WITH BEDSIDE CABINET)



DIMENSION

- Overall : W550xD550xH1900/2000mm

- 전자키 옵션

TS-135



DIMENSION

- Overall : W450xD400xH750mm

TS-130

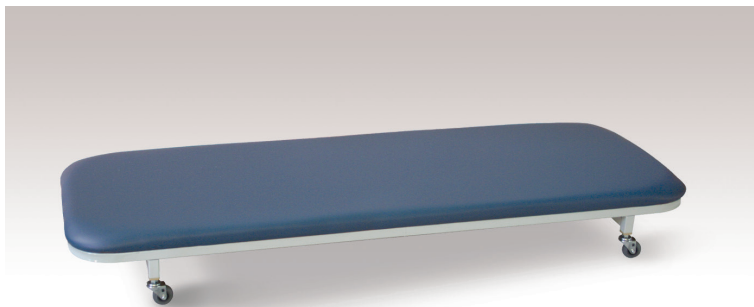


DIMENSION

- Overall : W450xD400xH750mm

- Plastic Top Board

ATTENDANT BED TB-401



DIMENSION

- Overall : L1600mm x W600mm x H250mm

TB-404

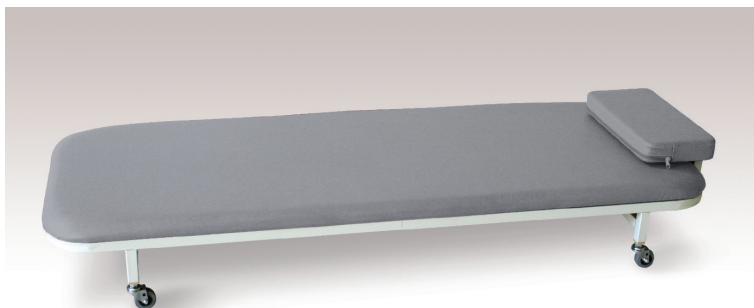


DIMENSION

- Overall : L1800mm x W550mm x H250mm



TB-401E

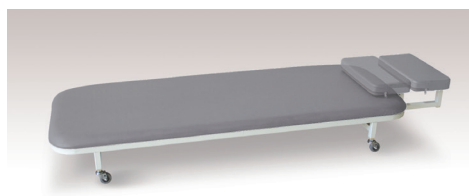


DIMENSION

- Overall : L1600~L1800mm x W600mm x H250mm

FEATURE

- Length extendable & Pillow



TB-405



DIMENSION

- Overall : L1800mm x W600mm x H350mm



EXAMINING TABLE

TE-110



○ SPECIFICATION

- Overall : L1800mm x W700mm x H650mm
- Table Top : T12mm Polywood with sponge & Vinyl leather cover 40mm
- Leg : 30x50mm Steel pipe
- Table frame : 25x25mm Steel pipe
- Leg support frame : 25x25mm Steel pipe
- Finish : Electrostatic Powder Spray Coating

TE-110S



TE-112 (1- HAND WORK)



○ SPECIFICATION

- Overall : L1800mm x W700mm x H650mm
- Table Top : T12mm Polywood with sponge & Vinyl leather cover 40mm
- Leg : 30x50mm Steel pipe
- Table frame : 25x25mm Steel pipe
- Leg support frame : 25x25mm Steel pipe
- Finish : Electrostatic Powder Spray Coating

- L : 1800mm
- W : 700mm
- H : 650mm

TE-111 (DRAWER TYPE)



○ SPECIFICATION

- Overall : L1800mm x W700mm x H650mm
- Drawer : 3ea
- Table Top : T12mm Polywood with sponge & Vinyl leather cover 40mm
- Leg : 30x50mm Steel pipe
- Table frame : 25x25mm Steel pipe
- Leg support frame : 25x25mm Steel pipe
- Finish : Electrostatic Powder Spray Coating

- L : 1800mm
- W : 700mm
- H : 650mm

WARD EQUIPMENT

TU-623, 624, 625(I.V STAND)



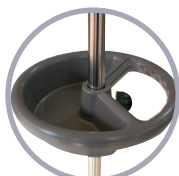
▶ 4 Hangers



▶ Urine Hanger



▶ Height Knob



▶ Handle & bin



▶ Pack, Bottle Catch



▶ 5 Legs-Plastic

○ SPECIFICATION

- Base : Strong P.P Injection Mold
- Column : Dia. 25mm Stainless Steel Pipe
- Injection Mold Utility Console & Tray
- Utility Model - Cloth & Hose Hanger
- Convenience Guidance
- Special Knob : Protecting noise and swing

NURSING APPLIANCES

TD-DC2S (DRESSING CART)



○ SPECIFICATION

Model	Size(LxDxH)	Remark
TD-DC2S-S	650x450x900	Standard
TD-DC2S-M	750x450x900	Standard
TD-DC2S-L	950x450x900	Standard

- All Stainless Steel 304 Construction
- 4 Inch Swivel Caster 4EA.(Brake 2 EA)

TD-DC3S (DRESSING CART)



○ SPECIFICATION

Model	Size(LxDxH)	Remark
TD-DC3S-S	650x450x900	Standard
TD-DC3S-M	750x450x900	Standard
TD-DC3S-L	950x450x900	Standard

- All Stainless Steel 304 Construction
- 4 Inch Swivel Caster 4EA.(Brake 2 EA)

TD-DC2SH (DRESSING CART)



○ SPECIFICATION

Model	Size(LxDxH)	Remark
TD-DC2SH-S	650x450x950	-
TD-DC2SH-M	750x450x950	-
TD-DC2SH-L	950x450x950	-

- All Stainless Steel 304 Construction
- One Body Pipe Frame Construction
- 4 Inch Swivel Caster 4EA.(Brake 2 EA)

TD-DC3SH (DRESSING CART)



○ SPECIFICATION

Model	Size(LxDxH)	Remark
TD-DC3SH-S	650x450x950	-
TD-DC3SH-M	750x450x950	-
TD-DC3SH-L	950x450x950	-

- All Stainless Steel 304 Construction
- One Body Pipe Frame Construction
- 4 Inch Swivel Caster 4EA.(Brake 2 EA)

NURSING APPLIANCES

TD-TC2S2(TREATMENT CART)



○ SPECIFICATION

Model	Size(LxDxH)	Remark
TD-TC2S2-S	750x450x900	-
TD-TC2S2-M	850x450x900	-
TD-TC2S2-L	950x450x900	-

- All Stainless Steel 304 Construction.
- 4 Inch Swivel Caster 4EA.(Brake 2 EA)

TD-TC3S2(TREATMENT CART)



○ SPECIFICATION

Model	Size(LxDxH)	Remark
TD-TC3S2-S	750x450x900	-
TD-TC3S2-M	850x450x900	-
TD-TC3S2-L	950x450x900	-

- All Stainless Steel 304 Construction.
- 4 Inch Swivel Caster 4EA.(Brake 2 EA)

TD-TC2S2H(TREATMENT CART)



○ SPECIFICATION

Model	Size(LxDxH)	Remark
TD-TC2S2H-S	750x450x950	-
TD-TC2SH-M	850x450x950	-
TD-TC2SH-L	950x450x950	-

- All Stainless Steel 304 Construction.
- 4 Inch Swivel Caster 4EA.(Brake 2 EA)

TD-TC3S2H(TREATMENT CART)



○ SPECIFICATION

Model	Size(LxDxH)	Remark
TD-TC3S2H-S	750x450x950	-
TD-TC3S2H-M	850x450x950	-
TD-TC3S2H-L	950x450x950	-

- All Stainless Steel 304 Construction.
- 4 Inch Swivel Caster 4EA.(Brake 2 EA)

NURSING APPLIANCES

TD-TC2S1 (TREATMENT CART)



○ SPECIFICATION

Model	Size(LxDxH)	Remark
TD-TC2S1-S	550x450x900	-
TD-TC2S1-M	650x450x900	-

- All Stainless Steel 304 Construction.
- 4 Inch Swivel Caster 4EA.(Brake 2 EA)

TD-TC2S (TREATMENT CART)



○ SPECIFICATION

Model	Size(LxDxH)	Remark
TD-TC2S-S	550x450x900	-
TD-TC2S-M	650x450x900	-

- All Stainless Steel 304 Construction.
- 4 Inch Swivel Caster 4EA.(Brake 2 EA)

※상기 모델은 원하는 규격으로 주문 생산이 가능합니다.

TD-UC2S (UTILITY CART)



○ SPECIFICATION

Model	Size(LxDxH)	Remark
TD-UC2S-S	650x435x900	-
TD-UC2S-M	750x435x900	-
TD-UC2S-L	950x435x900	-

- All Stainless Steel 304 Construction.
- 4 Inch Swivel Caster 4EA.(Brake 2 EA)

TD-UC3S (UTILITY CART)



○ SPECIFICATION

Model	Size(LxDxH)	Remark
TD-UC3S-S	650x435x900	-
TD-UC3S-M	750x435x900	-
TD-UC3S-L	950x435x900	-

- All Stainless Steel 304 Construction.
- 4 Inch Swivel Caster 4EA.(Brake 2 EA)

NURSING APPLIANCES

TD-UC2S-2D (UTILITY CART, DRAWER TYPE)



▶ Basket drawer



▶ Dust box



ACCESSORIES

- Basket : 560x410x55 (TD-AB-1)
- Basket : 560x410x125 (TD-AB-2)
- Option : Dust box

SPECIFICATION

- All Stainless Steel 304 Construction
- Ball bearing drawer rail
- ABS Basket in drawer
- Length and breadth partition(Each a unit)
- Higher quality Caster 4 EA
- Inner shelf size : 615x445x10

SPECIFICATION

Model	Size(LxDxH)	Remark
TD-UC2S-2D	650x500x950	2 Drawer

TD-UC3S-1D (UTILITY CART, DRAWER TYPE)



▶ Basket drawer



▶ Sliding side shelf



ACCESSORIES

- Basket : 560x410x55 (TD-AB-2)

SPECIFICATION

- All Stainless Steel 304 Construction
- Ball bearing drawer rail
- ABS Basket in drawer
- Length and breadth partition(Each a unit)
- Higher quality Caster 4 EA
- Inner shelf size : 615x445x10

SPECIFICATION

Model	Size(LxDxH)	Remark
TD-UC3S-1D	650x(500+350)x950	1 Drawer

OPERATING ROOM APPLIANCES

TD-ITR (INSTRUMENT TABLE, ROUND TYPE)



○ SPECIFICATION

- All Stainless Steel 304 Construction
- 4" Swivel Brake Caster 6 EA
- Two Self shaped with guard rail

Model	Size(LxDxH)	Remark
TD- ITR1	1200×500×900	Round
TD- ITR2	1600×500×900	Round
TD- ITR3	1900×500×900	Round

TD-ITV (INSTRUMENT TABLE, V-TYPE)



○ SPECIFICATION

- All Stainless Steel 304 Construction
- 4" Swivel Brake Caster 6 EA
- Two Self shaped with guard rail

Model	Size(LxDxH)	Remark
TD- ITV1	1200×500×900	V형
TD- ITV2	1600×500×900	V형
TD- ITV3	1900×500×900	V형

TD-ITI (INSTRUMENT TABLE, I-TYPE)



○ SPECIFICATION

- All Stainless Steel 304 Construction
- 4" Swivel Caster 4 EA (Brake 2 EA)

Model	Size(LxDxH)	Remark
TD- ITI1	900×500×900	일자형
TD- ITI2	1200×500×900	일자형
TD- ITI3	1600×500×900	일자형

※상기 모델은 주문에 따라 규격변동이 가능하며 상부 선반에 GUARD RAIL제작 가능함.

OPERATING ROOM APPLIANCES

TD-OIT1 (OVERHEAD INSTRUMENT TABLE)

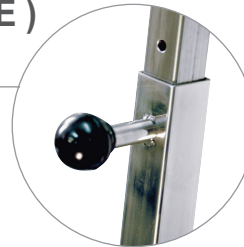


○ SPECIFICATION

- All Stainless Steel 304 Construction
- AC220V Electrification Type Battery
- Higher quality Caster 4 EA
- High And Low Automatic Control

Model	Size(LxDxH)	Remark
TD-OIT1	940x650x900~1400	Automatic

TD-OIT2 (OVERHEAD INSTRUMENT TABLE)



○ SPECIFICATION

- All Stainless Steel 304 Construction
- High And Low Push Hand Lever
- Higher quality Caster 4 EA

Model	Size(LxDxH)	Remark
TD-OIT2	940x650x900~1400	Hand Operation

TD-FD1 (FOOD CART)



○ SPECIFICATION

- Stainless Steel 304 Construction
- 5 Inch Swivel Caster 4 EA

Model	Size(LxDxH)	Remark
TD-FD1	식판 사이즈에 따라 변경	40/48인용

OPERATING ROOM APPLIANCES

TK-47S (KICK BUCKET)



○ SPECIFICATION

- Swivel Caster 2 Inch 4EA
- Urethane Bumper
- Bucket : Stainless Steel

Model	Size(LxDxH)	Remark
TK-47S01	ø350x350	-
TK-47S02	ø350x700	Handle Type

- Accessories Stainless Steel Bucket

ITG-250 (OXYGEN CART)



○ SPECIFICATION

- Frame : ø25mm Steel pipe
- Wheel : ø8" Caster 2ea
- Caster : ø4" Swivel Caster 2ea
- Finish : Electrostatic Powder Spray Coating (Use of the Epoxy-Polyester resin)

TY-MSF (MAYO STAND, O.R Type)



○ SPECIFICATION

Model	Size(LxDxH)	Remark
TY-MSF01	490x330x(850~1300)	-
TY-MSF02	600x400x(850~1300)	-

- Swivel Caster 2EA

TY-AMS (MAYO STAND, O.R Type)



○ SPECIFICATION

Model	Size(LxDxH)	Remark
TY-AMS01	490x330x(850~1300)	반자동

- All Stainless Steel 304 Construction
- Swivel Caster 2 EA
- Foot Switch High & Low Control
- Mayo Tray : 490x330x1.0t

TY-MSH (MAYO STAND, 외래Type)



○ SPECIFICATION

Model	Size(LxDxH)	Remark
TY-MSH01	490x330x(850~1300)	-

- Swivel Caster 4EA



○ SPECIFICATION

Model	Size(LxDxH)	Remark
TY-MSH02	490x330x(850~1300)	주물형

- Swivel Caster 4EA

WARD EQUIPMENT

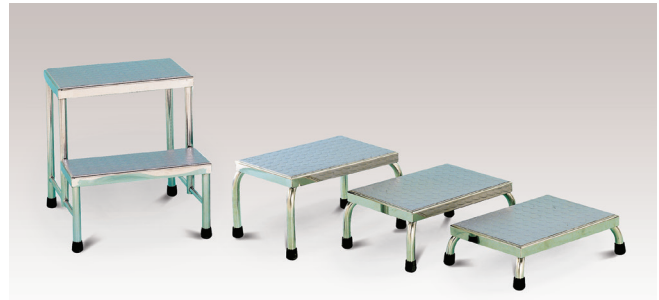
TO-460 (OVER BED TABLE)



○ SPECIFICATION

- Table size : L800mm x W400mm
- Base size : L560mm x W410mm
- Height Adjust : H755~1075mm
- Table frame : 30mm x 50mm Steel pipe
- Caster : ø3" Swivel Caster 4ea

TH- 53, 52, 51, 50, 46, 45 (ONE, TWO FOOT STEP)



○ SPECIFICATION

- TH-53** L430xW500xH500 - All Stainless Steel 304 Construction
- TH-52** L430xW300xH250 - Non Slip rubber top surface
- TH-51** L430xW300xH180 - Non Slip rubber parking
- TH-50** L430xW300xH120



- TH-46** L400mm x W520mm x H280~510mm (Two Step)
- TH-45** L400mm x W300mm x H250mm (One Step)

TB-106S (INFANT BASSINET CART)



○ SPECIFICATION

Model	Size(LxDxH)	Remark
TB-106S	720x440x800	High Quality

- Stainless Steel pipe 304 Frame
- P.V.C Clear crib with 50mm Mattress
- 3 Inch Swivel Caster 4 EA

TB-105S (INFANT BASSINET CART)



○ SPECIFICATION

Model	Size(LxDxH)	Remark
TB-105S	700x420x800	Standard

- Stainless Steel pipe 304 Frame
- P.V.C Clear crib with 50mm Mattress
- 3 Inch Swivel Caster 4 EA

LINEN HAMPER CART

TL-LHCF



○ SPECIFICATION

Model	Size(LxDxH)	Remark
TL-LHCF	600x600x850	-
TL-LHCF-1	900x600x850	-
TL-LHCF-2	1200x600x850	-

- Stainless Steel pipe 304 Frame
- 4 Inch Swivel Caster 4 EA
- Accessories : Hamper bag 1 EA

TL-LHCF-C



○ SPECIFICATION

Model	Size(LxDxH)	Remark
TL-LHCF-C	500x500x850	Cover Type



- Stainless Steel pipe 304 Frame
- Cover : Acrylic 5.0mm & Handle
- 3 Inch Swivel Caster 4 EA
- Accessories : Hamper bag 1 EA

TL-LHCR



○ SPECIFICATION

Model	Size(LxDxH)	Remark
TL-LHCR	ø600x850	Round

- Stainless Steel pipe 304 Frame
- 4 Inch Swivel Caster 3 EA
- Accessories : Hamper bag 1 EA

TL-LHCD



○ SPECIFICATION

Model	Size(LxDxH)	Remark
TL-LHCD	1000x450x850	Double

- Stainless Steel pipe 304 Frame
- Stainless Steel Shelf plate
- Accessories : Hamper bag 2 EA

WARD EQUIPMENT

TP-300, 300S (THREE - PANEL)



○ DIMENSION

TP-300 · L2700mm × H1740mm

TP-300S · L2700mm × H1740mm

○ SPECIFICATION

- Frame : **TP-300** · 25mm Steel pipe
TP-300S · Stainless steel pipe 304 frame
- Caster : 2" Swivel Caster 6ea
- Screen Cloth : Nylon
- Finish : Electrostatic powder coating
 (Use of the epoxy-polyester resin)

WALKING AIDS

TW-511 (WALKING TABLE)



○ SPECIFICATION

- Overall size : W500mm × H750~880mm

TW-801 (WALKER STANDARD ADULT TYPE)



○ SPECIFICATION

- Overall size : W650mm × H900~1100mm
- Frame : Stainless Steel pipe
- Caster : Swivel Caster 4ea

TW-711 (WALKING TABLE)



○ SPECIFICATION

- Overall size : W500mm × H750~880mm

WHEEL CHAIRS

TW-1001 (STEEL WHEELCHAIR)



○ SPECIFICATION

앞바퀴	뒤바퀴	시트폭	무게	전체길이
8" 솔리드	24" AIR	41cm	19kg	105cm
전체높이	전체폭	접은폭	시트높이	
88cm	61cm	29cm	47.5cm	

TW-501A (ALUMINUM WHEELCHAIR)



○ SPECIFICATION

전체 높이	시트 폭	등판 높이	앞바퀴
89cm	41cm	40cm	6" (15cm) PU
좌석 높이(전/후)	시트 색상	전체 길이	전체(접은) 폭
43cm/41cm	오렌지, 블랙	99cm	66(37)cm
발받침 높이	뒤바퀴	좌석 깊이	제품 중량
6~12cm	22" (56cm)AIR	40cm	14kg

TW-1002 (STEEL WHEELCHAIR)



○ SPECIFICATION

전체높이	전체폭	시트폭
88cm	65.8cm	42cm
접은 폭	앞바퀴	뒤바퀴
30.4cm	8" (20cm)	24" (60cm)
제품 중량	최대사용중량	뒤바퀴표준공기압
22.8kg	113kg	3kgf/cm ²



TW-1003

TW-701A (ALUMINUM WHEELCHAIR)



○ SPECIFICATION

전체 높이	시트 폭	등판 높이	앞바퀴
87cm	43cm	40cm	7" (18cm) PU
좌석 높이(전/후)	시트 색상	전체 길이	전체(접은) 폭
44cm/42cm	블루, 블랙, 오렌지	108cm	65(35)cm
발받침 높이	뒤바퀴	좌석 깊이	제품 중량
6~12cm	24" (61cm)AIR or PU	40cm	15kg

Nursing Appliances

HOSPITAL CART



Model	Size(L×D×H)
TD-601A	650×410×838mm



Model	Size(L×D×H)
TD-601B	650×410×867mm



Model	Size(L×D×H)
TD-2002C	880×510×825mm



Model	Size(L×D×H)
TD-2004B	905×530×870mm



Model	Size(L×D×H)
TD-2004D	905×530×870mm



Model	Size(L×D×H)
TD-2004F	905×530×870mm



Model	Size(L×D×H)
TD-2004H	905×530×870mm



Model	Size(L×D×H)
TD-401E	900×560×1300mm



Model	Size(L×D×H)
TD-401F	900×560×1300mm

Nursing Appliances

HOSPITAL CART



Model	Size(L×D×H)
TD-101A	598×368×839mm



Model	Size(L×D×H)
TD-101B	598×368×875mm



Model	Size(L×D×H)
TD-201E	651×447×830mm



Model	Size(L×D×H)
TD-201F	651×447×858mm



Model	Size(L×D×H)
TD-101C	598×368×839mm



Model	Size(L×D×H)
TD-101D	598×368×875mm



Model	Size(L×D×H)
TD-201C	705×447×828mm



Model	Size(L×D×H)
TD-201D	705×447×850mm



Model	Size(L×D×H)
TD-101K	610×370×897mm



Model	Size(L×D×H)
TD-101J	610×370×885mm



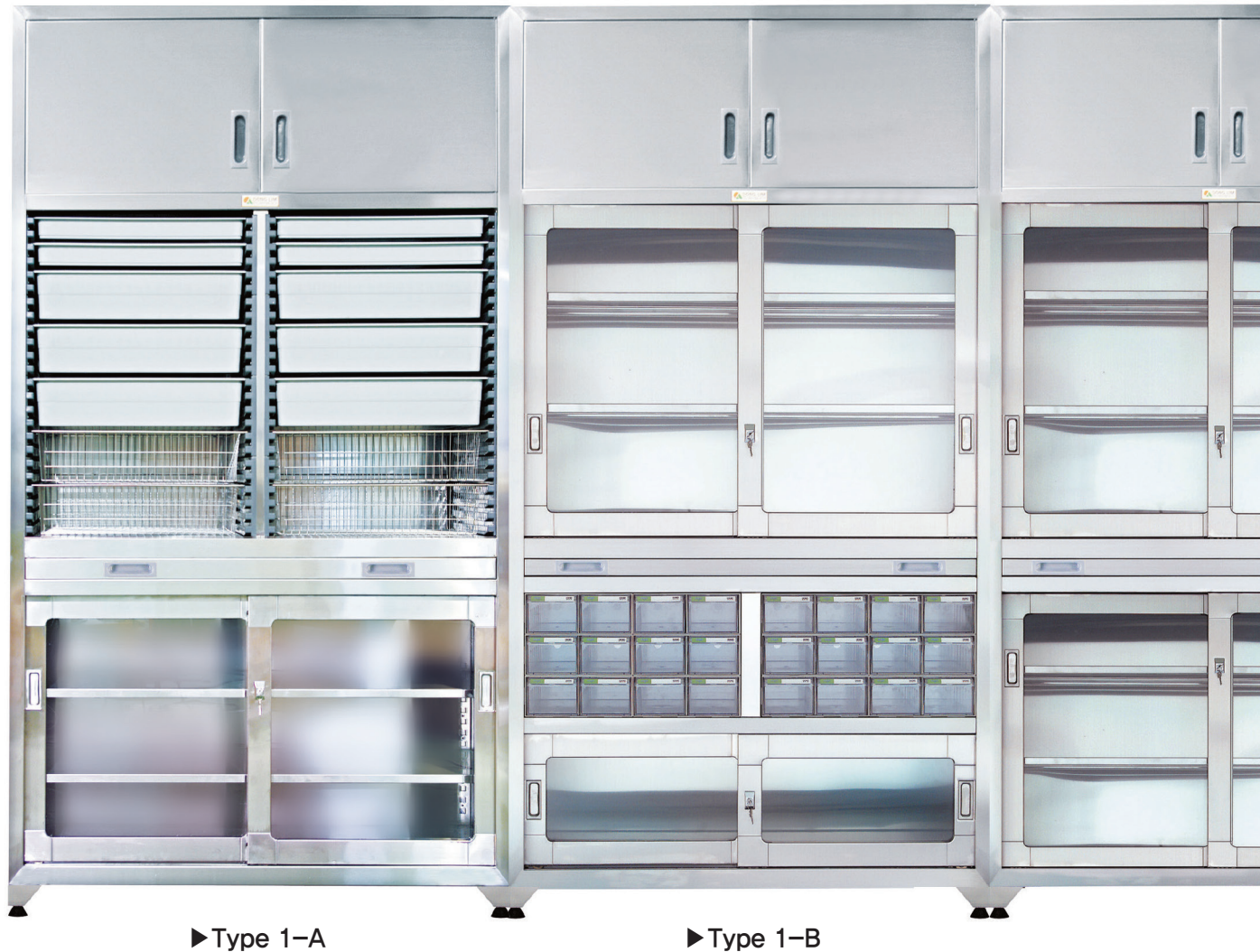
Model	Size(L×D×H)
TD-201K	705×447×887mm



Model	Size(L×D×H)
TD-201J	705×447×920mm

OPERATING ROOM APPLIANCES

TD-WMIC (WALL - MOUNTED INSTRUMENT CABINET)



▶ Type 1-A

▶ Type 1-B

TD-WMIC

• L6000mm × D500mm × H2300mm • Remark : A+B+C+D+E

○ CONSTRUCTION

- A** Basket Cabinet : L1200mm × D500mm × H2300mm
- B** Brain Cabinet : L1200mm × D500mm × H2300mm
- C** Standard Cabinet : L1200mm × D500mm × H2300mm
- D** Pacs Cabinet : L1200mm × D500mm × H2300mm
- E** Refrigerator & Warmer Cabinet : L1200mm × D500mm × H2300mm
- Top Cabinet : L1200mm × D500mm × H400mm



▶ Type 1-C

▶ Type 1-D

▶ Type 1-E

○ SPECIFICATION

Body Frame	SUS 304 Plate	Foot for Level	Urethane
Shelf	SUS 304 Plate	Working Sliding Panel	SUS 304 Plate
Door	SUS 304 Frame & 5t Strong Glass	X-ray Illuminator	Slim Type
Basket	A B S Molded & SUS	Refrigerator & Warmer Cabinet	Option
Drawer	SUS 304 Plate	Multi Plastic Bin	

OPERATING ROOM APPLIANCES INSTRUMENT CABINET

- Free-standing instrument cabinets are designed for larger storage space and
Constructed Of heavy-duty stainless steel
- Body Frame : All Stainless Steel 304 1.0t & 1.2t Plate Production
- Glass : 5.0t Strong Glass
- Shelf : Two Shelves is Adjustable in 30mm Intervals
- Handle : Locking Key unit
- Adjustable Floor Level is Possible

ITD-IC1



○ SPECIFICATION

Model	Size(LxDxH)	Remark
TD-IC1	1200x500x1800	주문제작가능

ITD-IC2



○ SPECIFICATION

Model	Size(LxDxH)	Remark
TD-IC2	1200x500x1800	주문제작가능

TD-IC3



○ SPECIFICATION

Model	Size(LxDxH)	Remark
TD-IC3	900x450x1800	여닫이(Door)

- Four shelves is Adjustable in 30mm Intervals

TD-IC4



○ SPECIFICATION

Model	Size(LxDxH)	Remark
TD-IC4	900x450x1800	Open Type
TD-IC4-1	1200x500x1800	Open Type

TD-IC5



○ SPECIFICATION

Model	Size(LxDxH)	Remark
TD-IC5	900x450x1800	여닫이(Door)

- Three shelves is Adjustable in 30mm Intervals

TD-IC6



○ SPECIFICATION

Model	Size(LxDxH)	Remark
TD-IC6	1200x500x1800	미닫이(Door)

- Three shelves is Adjustable in 30mm Intervals

CONSULTATION ROOM APPLIANCES

TD-ECS1(ENDOSCOPIC CABINET)



FEATURE & USAGE

1. 보관장은 부식성이 뛰어난 Stainless Steel 304로 제작
2. Endoscopes을 안전하고 편리하게 보관 할 수 있도록 설계하여 제작
3. 내부에 설치 된 U.V Lamp 는 Timer Switch에 의해 작동되며 미 사용시 별도의 On/Off Switch가 편리하게 On/Off가 가능함
4. Door는 투명 유리 5.0mm, 잠금 장치로 구성되어 있음



Model	Size(LxDxH)	Remark
TD-ECS1	1200x450x2100	6 Holder
TD-ECS2	900x450x2100	4 Holder
TD-ECS3	700x450x2100	2 Holder

▶ 대장 내시경

Model	Size(LxDxH)	Remark
TD-ECS1-1	1200x450x2300	6 Holder
TD-ECS2-1	900x450x2300	4 Holder
TD-ECS3-1	700x450x2300	2 Holder

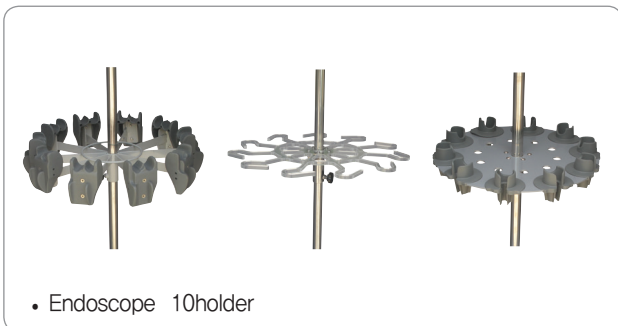
SPECIFICATION

- Body Frame All Stainless Steel 304 Construction
- U.V Lamp(2 EA) : 20W, Safety a net
- Supply Power : AC 220v,60Hz. Code 5M
- Door Sensing Type(2 Point)
- Heater(500W),Fan : Moisture keep dry
- Adjustable floor Level is possible

TD-ECS4(ENDOSCOPIC CABINET - 10HOLDER)



Model	Size(LxDxH)	Remark
TD-ECS4	700x700x2100	10 Holder
TD-ECS4-1	700x700x2300	10 Holder



○ FEATURE & USAGE

1. 보관장은 부식성이 뛰어난 Stainless Steel 304로 제작
2. Endoscopes을 안전하고 편리하게 보관 할 수 있으며 좁은 공간에 더 많이 보관하도록 설계하여 제작
3. Holder는 어떤 Model의 Endoscopes도 보관 할 수 있으며 회전 할 수 있도록 고안 되어 제작 되었습니다.
4. Door는 투명 유리 5.0mm 잠금 장치로 구성되어 있음

OPERATING ROOM APPLIANCES

TD-SCR3 (SCRUB STATION- 3인용)



○ SPECIFICATION

Model	Size(LxDxH)	Remark
TD-SCR3	2000x600x1230	3인용

TD-SCR2 (SCRUB STATION- 2인용)



○ SPECIFICATION

Model	Size(LxDxH)	Remark
TD-SCR2	1400x600x1230	2인용

※ 1인용 주문제작 가능합니다.

OPERATING ROOM APPLIANCES

TD-SK (SINK CABINET)



▶ SINK 넓은 면적의 내식성이 우수한 스테인리스싱크는 각종 의료기구를 편리하게 세척 할수 있습니다.



▶ SINK 넓은 면적의 내식성이 우수한 스테인리스싱크는 각종 의료기구를 편리하게 세척 할수 있습니다.

○ SPECIFICATION

Model	Size(LxDxH)	Remark
TD-SK01	1200×600×(850+100)	-
TD-SK02	1500×600×(850+100)	-
TD-SK03	1800×600×(850+100)	-

※ SINK CABINET 주문 제작 가능합니다.

○ SPECIFICATION

Model	Size(LxDxH)	Remark
TD-SK04	1200×600×(850+100)	-
TD-SK05	1500×600×(850+100)	-
TD-SK06	1800×600×(850+100)	-

※ SINK CABINET 주문 제작 가능합니다.



NURSING APPLIANCES

TD-MC1 (MEDICATION CART)



○ SPECIFICATION

Model	Size(LxDxH)	Remark
TD-MC1	880x540x1000	Steel(30인용)

- Body : Steel (Powder Painting Management)

TD-MC2 (MEDICATION CART)



○ SPECIFICATION

Model	Size(LxDxH)	Remark
TD-MC2	630x520x950	SUS(40인용)

※20/30인용 주문 제작 가능합니다.

TD-MC8501, 7501 (MEDICATION TROLLEY - 약품카)



○ 특징

1. Trolley 양면에 약품 Bin이 있고, 큰 서랍장이 있어 다용도로 사용 할 수 있다.
2. 양방향 개별 개방이 가능하여 사용에 편리하고 관리가 편하다.
3. ABS 금형 사출, 알루미늄 프레임으로 성형하여 가볍고 이동에 편리하다.
4. 4" Luxurious Caster(Two brakes)

○ Accessory

- 선택사양 : Sliding Side Shelf, Utility Container, Needle Disposal Holder, I.V. Pole, 수액걸이 세트, 다용도 Bin 세트
- 기본사양 : Two Dust Box

○ SPECIFICATION

Model	Size(LxDxH)	Remark
TD-MC8501	850x520x950	(50인용)Accessory별매
TD-MC7501	750x475x950	(50인용)Accessory별매

NURSING APPLIANCES

TD-MC5 (MEDICATION CART)



○ SPECIFICATION

Model	Size(LxDxH)	Remark
TD-MC5	900x550x1000	-

- Body : Steel (Powder Painting Management)

OPTION



hospitalbed.co.kr



NURSING APPLIANCES

TD-EC1 (EMERGENCY CART)



○ SPECIFICATION

Model	Size(LxDxH)	Remark
TD-EC1	770x540x1000	Steel

- Body : Steel (Powder Painting Management)

TD-EC2 (EMERGENCY CART)



○ SPECIFICATION

Model	Size(LxDxH)	Remark
TD-EC2	770x540x1000	SUS

• Body : All Stainless Steel 304 Construction

TD-ET8501, 7501 (EMERGENCY CART-응급카)



○ 특징

1. 서랍장과 서랍 바스켓이 일체형으로 관리에 용이하며, 탈·부착이 편하다.
2. ABS 금형 사출, 알루미늄 프레임으로 성형하여 가볍고 이동에 편리하다.
3. 4" Luxurious Caster(Two brakes)

○ Accessory

- 선택사양 : Defibrillator Shelf, Sliding Side Shelf, Utility Container, Needle Disposal Holder, I.V. Pole, 수액걸이 세트, 다용도 Bin 세트, CPR Board
- 기본사양 : Two Dust Box

○ SPECIFICATION

Model	Size(LxDxH)	Remark
TD-ET8501	850x520x960	Accessory별매
TD-ET7501	750x475x930	Accessory별매

NURSING APPLIANCES

TD-EC5 (EMERGENCY CART)



○ SPECIFICATION

Model	Size(LxDxH)	Remark
TD-EC5	850x550x1000	Steel

OPTION

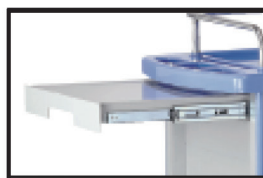


DETAIL

○ ACCESSORIES



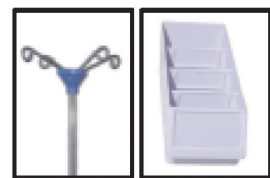
Defibrillator Shelf



Sliding Side Shelf



Utility Container



I.V. pole 약품 bin
Medicine bin



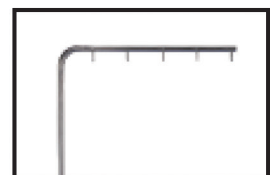
CPR Board



Needle Disposal
Holder



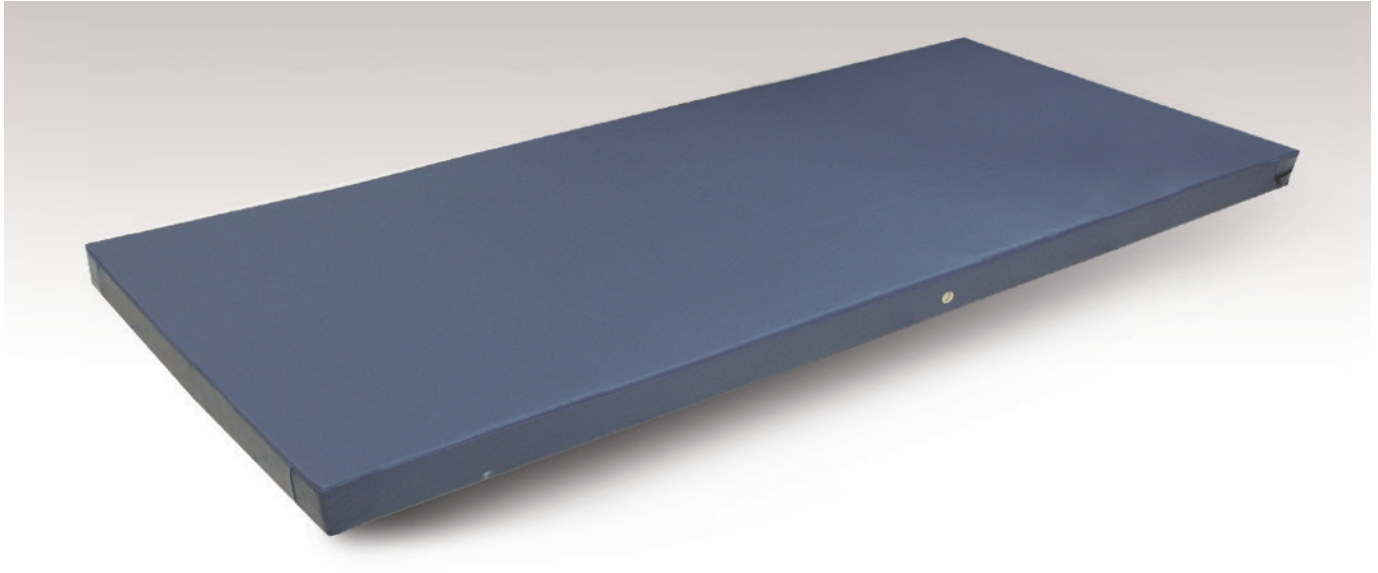
다용도 bin 세트
Multipurpose bin



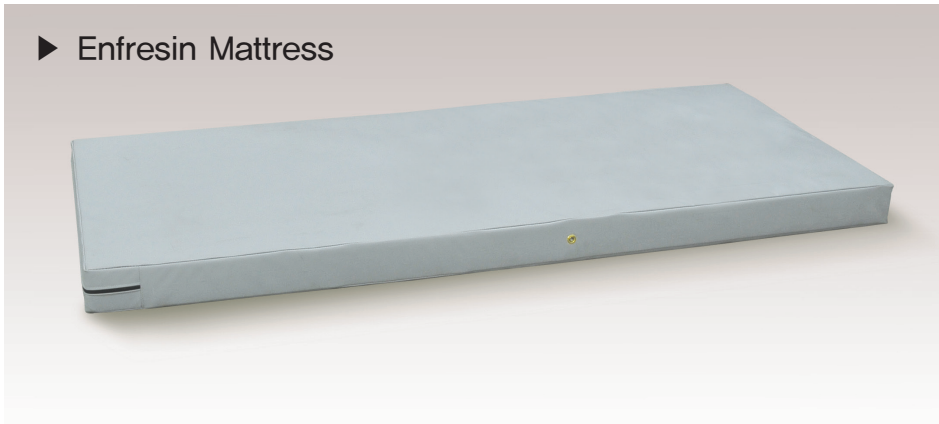
수액걸이 세트
I.V. hanger

ACCESSORIES

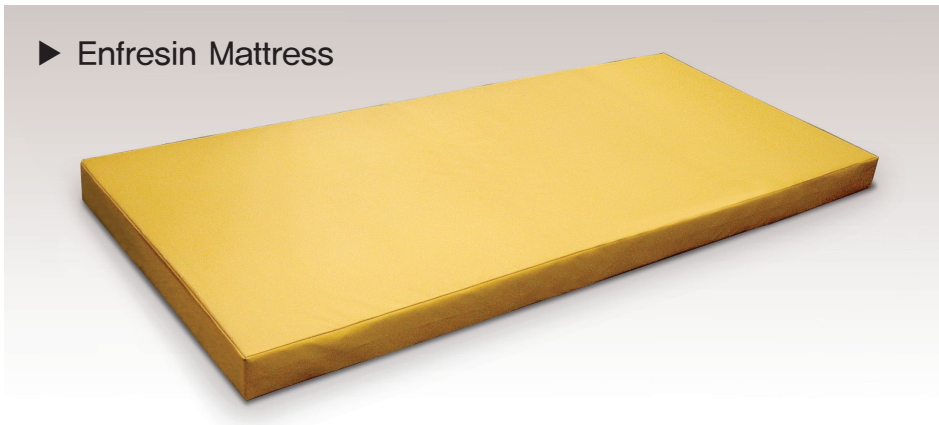
TM-120 (MATTRESS)



► Enfresin Mattress



► Enfresin Mattress

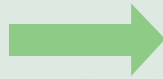


○ DIMENSION

- Standard Overall : L1910×W820×T80
- Color : Dark Blue, Grey, Yellow, etc.
- Order Made Acceptable

엔프레진 시트

FDA 등록
무독성
난연성
피부자극시험완료



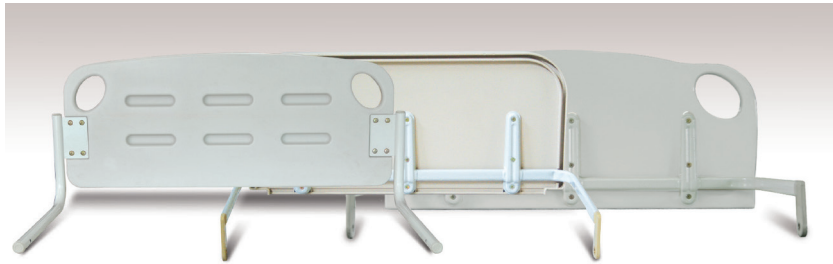
의료용 매트커버
욕창방지 매트커버
군용 매트리스
일반가정용 매트/소파커버
사무용 의자
방석, 일반 가구용

항 목	엔프레진 시트	기존제품
원재료	엔프레진	PVC
독성	무독성	독성물질 배출
환경호르몬	환경호르몬 배출 없음	다이옥신 등 환경호르몬 배출
난연성	난연성 검사 합격 제품 (KSP0387, KSP0388)	연소성
중금속	검출안됨	잔류중금속
피부자극	인체무해	노출시 욕창 및 알러지반응

- 매트리스 외피의 난연성 검사 합격 제품(KSP0387, KSP0388)
- 환경 호르몬이 없는 인체 무해한 원단
- 피부자극이 없는 무독성 제품
- 황토 첨가 원단
- 납품처 : 서울대학교병원, 건국대학교병원, 양산부산대학교병원, 국립암센터, 을지대학교병원, 전남대학교병원, 서울의료원 등



ACCESSORIES OVER BED TABLE



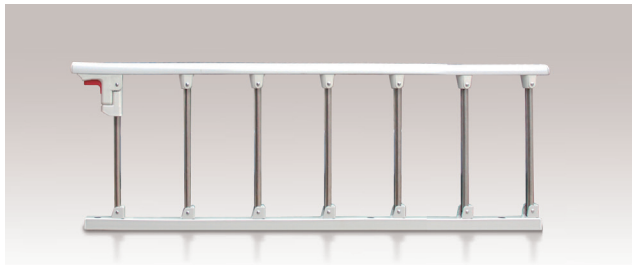
- **ABS Table**
 - High Impact, & Gloss ABS Resin
 - Anti Bacteria
 - Insert Nut & 3-Clamp for Stability
 - Protection Edge from food flow
- **P.P Table**
 - Blow molded
 - Easy hand grip

FOLDABLE SIDE RAIL



- Steel Press Die for Firmness
- Top : "n" Shape Aluminum Pipe
- 2ea 16mm Strong Order Made Bolt

FOLDABLE SIDE RAIL



- Steel Press Die for Firmness
- Top : "n" Shape Aluminum Pipe
- 3ea 16mm Strong Order Made Bolt

SIDE RAIL



- Material : polyethylene(PE)
- Stsding Bar Function
- Dimension = L740mm x W330mm

ONE TOUCH SIDE RAIL



- Hygienic & strong material
- Convenient One Touch System
- Five Hook, Two Screw Bolt, Two Bolt & Nut Joint
- Plastic Injection Mold Part for Easy operation

HEAD & FOOT BOARD PP BLOW BOARD



- Dimension : L960mm × H540mm × T100mm
- Roller bumper at the side edge of the bed

ABS BOARD



- ABS Intensified Plastic Injection Mold
- Easy Detachable for Emergency

PE BLOW BOARD



- PE Blow Molded
- Center Hole for Patient detail Card

PP BLOW BOARD



- PP Blow Molded

HEAD & FOOT BOARD ABS BOARD



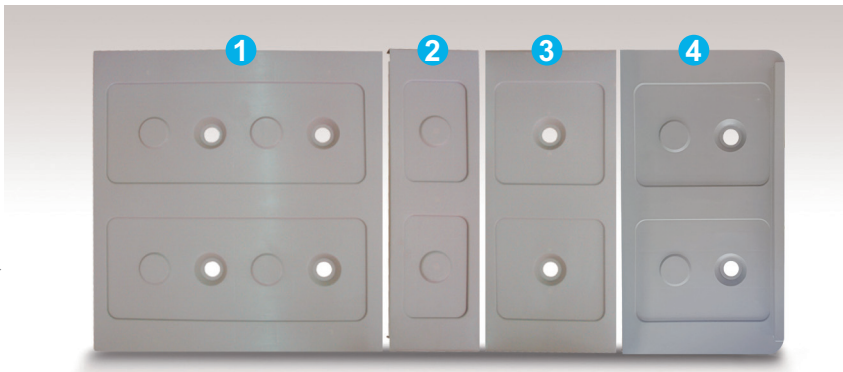
- Dimension : L950mm x H540mm x T100mm
- Roller bumper at the side edge of the bed

IPP BOARD



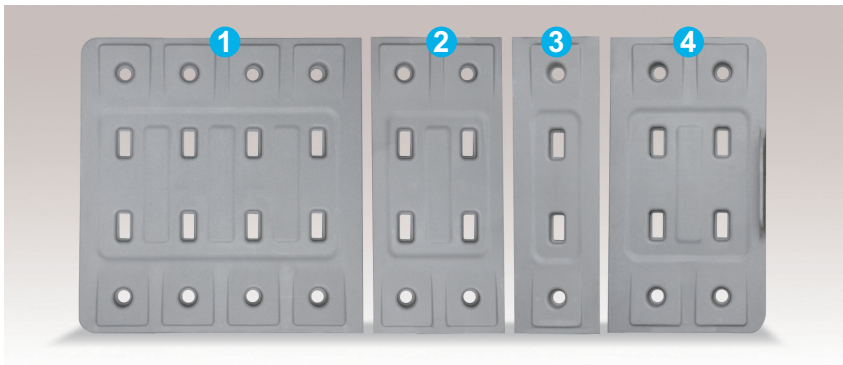
- Dimension : L950mm x W540mm x T100mm

BED TOP



- Washable & hygienic PP(Poly Propylene) Injection Mold Plate
- 4-Section (W820mmx780mm,245mm,365mm, 435mmxT35mm)
- Easy Detachable for cleaning & disinfection
- Mattress Sliding Prevention Edge

BED TOP



- Washable & hygienic PP(Poly Propylene) Injection Mold Plate
- Easy Detachable for cleaning & disinfection
- Mattress Sliding Prevention all Edge